

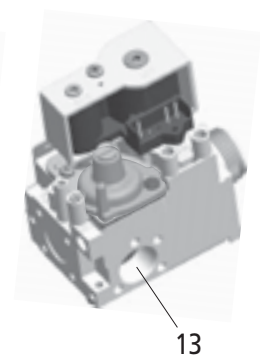
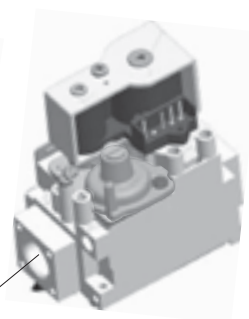
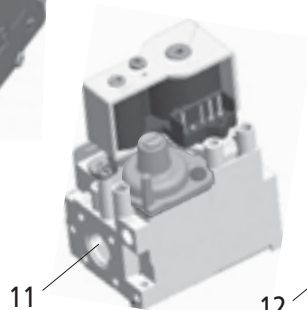
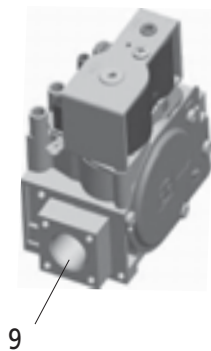
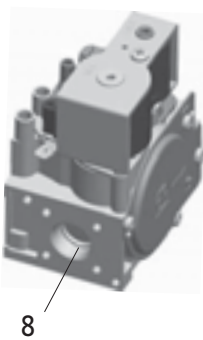
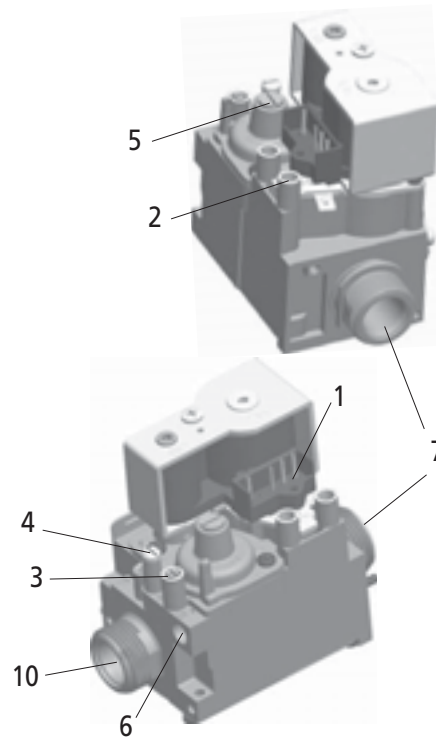
# 840 SIGMA

## MAIN FEATURES

- Two automatic shut-off valves
- Servo-controlled pressure regulator
- Step ignition device (optional)
- Pilot outlet (optional) with filter
- Inlet filter
- Outlet filter (optional)
- Inlet and outlet pressure test points with "captured" screw
- Inlet and outlet gas connection available with male or female thread or for flange connection, available side outlet

## DESCRIPTION

- 1 On-off solenoid valve EV1 and EV2 terminals
- 2 Inlet pressure test point (Pin)
- 3 Outlet pressure test point (Pout)
- 4 Connection for pressure regulator/ combustion chamber compensation
- 5 Pressure regulator adjustment
- 6 Pilot outlet
- 7 Male G 3/4 gas inlet
- 8 Flange gas inlet
- 9 Female Rp 1/2 gas inlet
- 10 Male G 3/4 gas outlet
- 11 Flange gas outlet
- 12 Female Rp 1/2 gas outlet
- 13 Side gas outlet

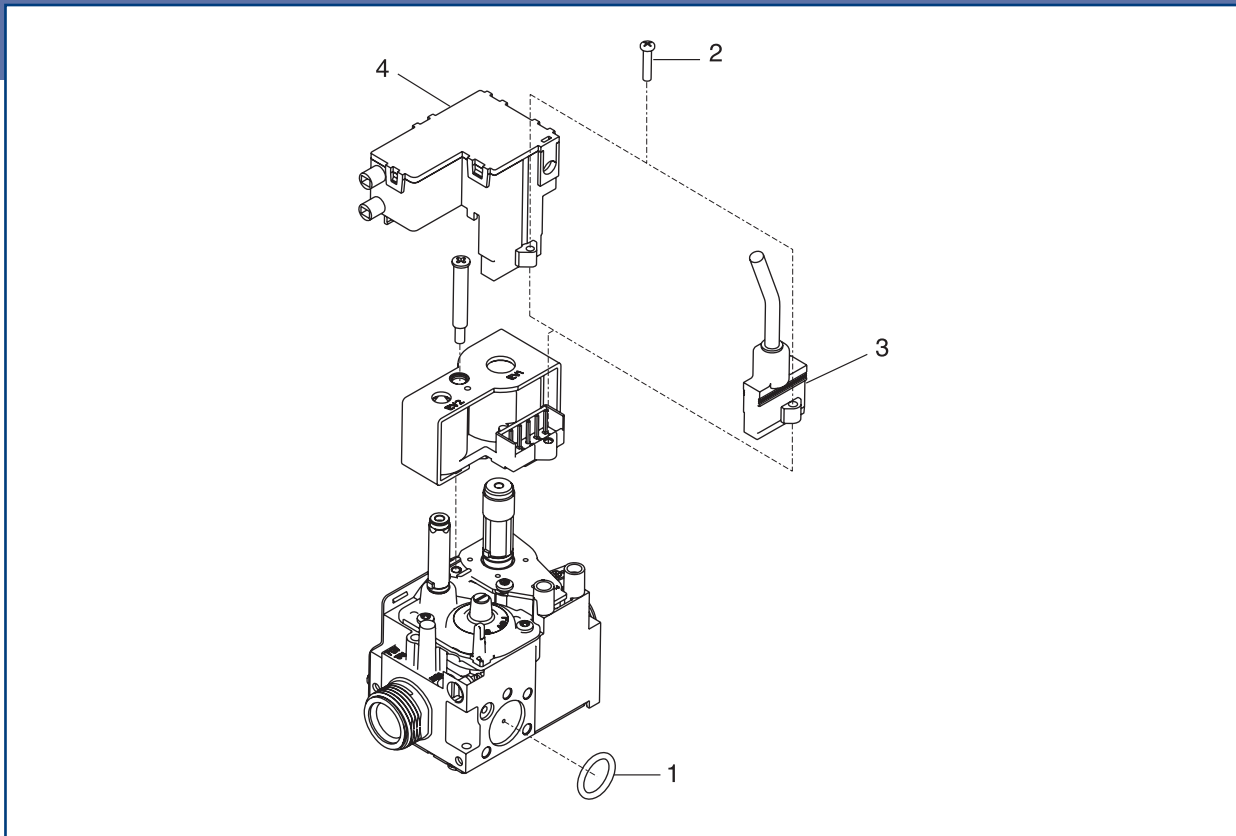


## CODES

Codes	Ambient temperature range [°C]	RoHS Version	UK Version	Body length [mm]	Inlet	Outlet displacement	Outlet	EV Electric supply	EV Class	Pressure Regulator range	Pilot	Flow Adjuster	Step Opening
0840014	0÷60		no	80	Flange		Flange	230 V - 50 Hz	B+J	2 - 50 mbar	no		no
0840016	0÷60		no	113	Male G3/4		Male G3/4	230 V - 50 Hz	B+J	2 - 50 mbar	M10		no
0840017	0÷60		no	105	Female Rp1/2		Female Rp1/2	230 V - 50 Hz	B+J	2 - 50 mbar	plugged		no
0840019	0÷60		yes	80	Flange	Side	Ø14mm 3hole	230 V - 50 Hz	B+J	2 - 50 mbar	no		2-4mbar
0840020	0÷60		no	113	Male G3/4		Male G3/4	230 V - 50 Hz	B+J	2 - 50 mbar	no		2-4mbar
0840023	0÷60		no	113	Male G3/4		Male G3/4	230 V - 50 Hz	B+J	2 - 50 mbar	no		no
0840024	0÷60		no	80	Flange		Flange	230 V - 50 Hz	B+J	2 - 50 mbar	no		2-4mbar
0840025	0÷60		no	80	Flange		Flange	220 V - 60 Hz	B+J	2 - 50 mbar	no		2-4mbar
0840026	0÷60		yes	105	Female Rp1/2		Female Rp1/2	230 V - 50 Hz	B+J	2 - 50 mbar	yes		2-4mbar
0840027	0÷60		no	105	Female Rp1/2		Female Rp1/2	230 V - 50 Hz	B+J	2 - 50 mbar	no		Adjust.
0840028	0÷60		no	113	Male G3/4		Male G3/4	220 V - 60 Hz	B+J	2 - 50 mbar	no		2-4mbar
0840029	0÷60		no	80	Flange		Flange	220 V - 60 Hz	B+J	2 - 50 mbar	no		no
0840030	0÷60		no	113	Male G3/4		Male G3/4	230 V - 50 Hz	B+J	2 - 50 mbar	no		Adjust.
0840031	0÷60		no	105	Female Rp1/2		Female Rp1/2	230 V - 50 Hz	B+J	2 - 50 mbar	no		no
0840032	0÷60		no	105	Rp1/2		Rp1/2	230 V - 50 Hz	B+J	2 - 50 mbar	no	Yes	no
0840033	0÷60		no	105	Rp1/2		Rp1/2	230 V - 50 Hz	B+J	2 - 50 mbar	no		no
0840034	0÷60		no	105	Female Rp1/2		Female Rp1/2	230 V - 50 Hz	B+J	2 - 50 mbar	no	Yes	no
0840035	0÷60		no	113	Male G3/4		Male G3/4	230 V - 50 Hz	B+J	2 - 50 mbar	M10		Adjust.
0840036	0÷60		no	105	Female Rp1/2		Female Rp1/2	230 V - 50 Hz	B+J	2 - 50 mbar	M10		Adjust.
0840038	0÷60		no	80	Flange		Flange	230 V - 50 Hz	B+J	2 - 50 mbar	no		Adjust.
0840039	0÷60		no	105	Female Rp1/2		Female Rp1/2	230 V - 50 Hz	B+J	2 - 50 mbar	no	Yes	Adjust.
0840040	0÷60		no	80	Flange		Flange	230 V - 50 Hz	B+J	2 - 50 mbar	no	Yes	no
0840041	-15÷60		no	80	Flange		Flange	230 V - 50 Hz	B+J	2 - 50 mbar	no		no
0840042	0÷60		no	113	Male G3/4		Male G3/4	230 V - 50 Hz	B+J	2 - 50 mbar	no		no
0840043	0÷60		no	113	Male G3/4		Male G3/4	230 V - 50 Hz	B+J	2 - 50 mbar	no	Yes	no
0840044	0÷60		no	113	Male G3/4		Male G3/4	230 V - 50 Hz	B+J	2 - 50 mbar	no		2-4mbar
0840045	0÷60		no	113	Male G3/4		Male G3/4	230 V - 50 Hz	B+J	2 - 50 mbar	no	Yes	2-4mbar
0840046	0÷60		yes	113	Male G3/4		Male G3/4	230 V - 50 Hz	B+J	2 - 50 mbar	no		Adjust.
0840047	0÷60		yes	105	Female Rp1/2		Female Rp1/2	230 V - 50 Hz	B+J	2 - 50 mbar	no		no
0840048	0÷60		no	113	Male G3/4		Male G3/4	230 V - 50 Hz	B+J	2 - 50 mbar	no		6-8mbar
0840055	32÷140°F		no	105	Female 1/2NPT		Female 1/2NPT	120V - 60HZ	B+J	3 - 11" WC	no		no
0840057	0÷60		no	113	Male G3/4		Male G3/4	230 V - 50 Hz	B+J	2 - 50 mbar	no	Yes	6-8mbar
0840058	0÷60		yes	105	Female Rp1/2		Female Rp1/2	230 V - 50 Hz	B+J	2 - 50 mbar	plugged		2-4mbar
0840059	0÷60	yes	no	105	Female Rp1/2		Female Rp1/2	230 V - 50 Hz	B+J	2 - 50 mbar	no		Adjust.
0840061	0÷60		yes	105	Female Rp1/2		Female Rp1/2	230 V - 50 Hz	B+J	2 - 50 mbar	no		Adjust.
0840062	0÷60		yes	105	Female Rp1/2		Female Rp1/2	230 V - 50 Hz	B+J	2 - 50 mbar	no		Adjust.
0840063	0÷60		no	105	Female Rp1/2		Female Rp1/2	230 V - 50 Hz	B+J	2 - 50 mbar	M10		Adjust.
0840064	0÷60		no	113	Male G3/4		Male G3/4	230 V - 50 Hz	B+J	2 - 50 mbar	no	Yes	6-8mbar
0840065	0÷60		no	105	Female Rp1/2		Female Rp1/2	220 V - 60 Hz	B+J	2 - 50 mbar	plugged		no
0840067	0÷60	yes	no	113	Male G3/4		Male G3/4	230 V - 50 Hz	B+J	2 - 50 mbar	M10		no







## SPARE PARTS

N.	Code	Description	Q.ty
A1	0.967.158	230 V, 50 Hz solenoid (black color)	10
A2	0.967.159	24 V, 50 Hz solenoid (grey color)	10
A3	0.967.165	220 V, 50 Hz solenoid (blue color)	10

## ACCESSORIES

N.	Code	Description	Q.ty	N.	Code	Description	Q.ty
1	0.925.133	O-ring for side outlet	100	3e	0.960.404	EV1-EV2 plug-cable L = 580 mm (3 wires)	20
2	0.953.082	EV1-EV2 plug screw	100	4a	0.504.010	Connector/igniter 504 NAC 2 electrodes, 5 wires	20
3a	0.960.400	EV1-EV2 plug-cable L = 515 mm (4 wires)	20	4b	0.504.011	Connector/igniter 504 NAC 2 electrodes, 4 wires	20
3b	0.960.401	EV1-EV2 plug-cable L = 620 mm (3 wires)	20	4c	0.504.012	Connector/igniter 504 NAC-2 electrodes, 5 wires	20
3c	0.960.402	EV1-EV2 plug-cable L = 1,070 mm (3 wires)	20	4d	0.504.013	Connector/igniter 504 NAC 1 electrode, 5 wires	20
3d	0.960.403	EV1-EV2 plug-cable L = 175 mm (4 wires)	20				

**Distributor: CALOR SRL**  
**Str. Progresului nr. 30-40, sector 5,**  
**Bucuresti**  
**tel: 021.411.44.44, fax: 021.411.36.14**  
**www.calorserv.ro - www.calor.ro**

Subject to change without notice